

Job: \_\_\_\_\_

Item: \_\_\_\_\_

Quantity: \_\_\_\_\_

**New Age Industrial Corp., Inc.**

PO Box 520 • 16788 US Hwy 36 • Norton, Kansas 67654

Phone: 800-255-0104 • Fax: (877)-877-7687 • [www.NewAgeIndustrial.com](http://www.NewAgeIndustrial.com)

## #50060 & #50061 - LADDER CARTS

- Shelf lips up on all sides to contain product.
- Extended push handle = Shin Saver!
- Continuous grip handle for ascending and descending.
  - Extended reach bar on top.
- Extra wide steps are welded and bolted in place.
  - Fitted with non-slip tape for safety.
- Spring loaded, full contact ladder stops.
- All welded, tubular base frame.
- Caster mounts are welded to the frame.
- Custom sizes available.
- Lifetime Guarantee against rust and corrosion.



Shelf lips up on all sides to contain product.



Extra wide steps are welded and bolted in place.  
- Fitted with non-slip tape for safety.

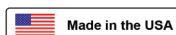


**MODEL #50060**



**MODEL #50061**

*This information is for general sales and engineering use only. New Age Industrial reserves the right to modify or make changes at any time without notice to materials and specifications.*



Distributed by:

Job: \_\_\_\_\_

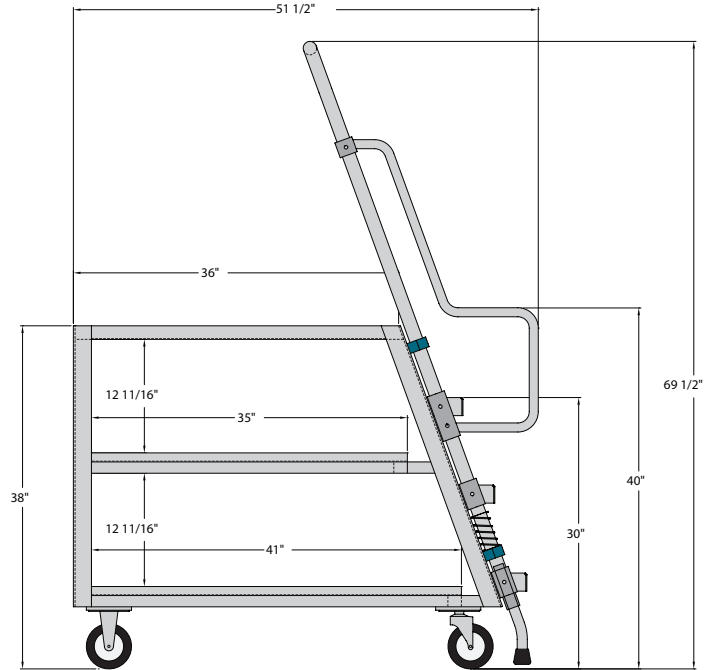
Item: \_\_\_\_\_

Quantity: \_\_\_\_\_

**New Age Industrial Corp., Inc.**  
 PO Box 520 • 16788 US Hwy 36 • Norton, Kansas 67654  
 Phone: 800-255-0104 • Fax: (877)-877-7687 • [www.NewAgeIndustrial.com](http://www.NewAgeIndustrial.com)

## #50060 & #50061 - LADDER CARTS

- Sheet parts are constructed of 5052-H32 Alloy aluminum.
- Extrusion parts are constructed of 6063-T5 Alloy aluminum.
- Ladder consists of 1.49" O.D. pipe, .153" wall uprights, 1" O.D. pipe, .125" handle and steps are formed out of .125" thick sheet.
- Cart uprights are formed of 3/16" sheet.
- Each shelf is constructed of 1-1/4" square tube, .07" wall covered with .08" sheet.
- Lifetime Guarantee against rust and corrosion.



**MODEL #50061**

Model No	Size W-H-L	No. Of Shelves	Top Shelf Height	Shelf Spacing	Wt. Cap.	Ship Wt.
50060	22" x 69-1/2" x 51-1/2"	2	38"	27-3/8"	800#	113#
50061	22" x 69-1/2" x 51-1/2"	3	38"	12-3/16"	800#	120#

Four 5" platform type casters, two swivel (#C461) two rigid (#C463).

*This information is for general sales and engineering use only. New Age Industrial reserves the right to modify or make changes at any time without notice to materials and specifications.*



Distributed by: