

VICTORY[®]

ULTRASPEC

PROJECT: _____
ITEM # _____ QTY: _____
MODEL # _____
AIA # _____ SIS # _____

AIR CURTAIN PASS-THRU REFRIGERATOR

AIR CURTAIN SOLID SLIDING DOOR PASS-THRU REFRIGERATOR

ACRS-1D-S1-PT-SD-HC



Note: Pans Not Included



- ▶ 3 Year Parts & Labor Warranty
Plus An Additional 4 Year Compressor Warranty
- ▶ Exclusive 2 Year Warranty On Magnetic Door Gaskets
- ▶ Lifetime Warranty On Handles & Hinges (Parts Only)

OPTIONS & ACCESSORIES

- Door Swing Orientation (at time of order)

CABINET CONSTRUCTION

- Stainless Steel Exterior And Interior
- 20 Gauge, Stainless Steel Doors
- Heavy Duty Cylinder Locks
- One Piece, Snap-In Magnetic Door Gasket
- Stainless Steel Hinges
- Fifteen Pair (15) Adjustable Stainless Steel Pan Slides (pans not included)
- 7 1/4" Heavy Duty Casters (2) With Locks
- Cord And Plug (see electrical data for details)

FEATURES

- Full Electronic Control
- 90 Minutes Of Door Opening In A 80°F/55% Relative Humidity Ambient Conditions
- Manager's Lockout Feature
- Front Sliding Door Swings Open 90° With Slide Back Option
- Rear Door Swings Open 270° With Side Door Catch
- Recessed Side Hand Grips
- Ergonomically Correct Door Handles, Guaranteed For Life

REFRIGERATION

- Refrigeration System Uses R-290 Refrigerant To Comply With All Environmental Concerns
- Note: Capable Of Maintaining Product Temperatures At Or Below 41°F For Up To 90 Minutes With Door Open, When Used As Directed. See Installation/Operation Manual For More Information.

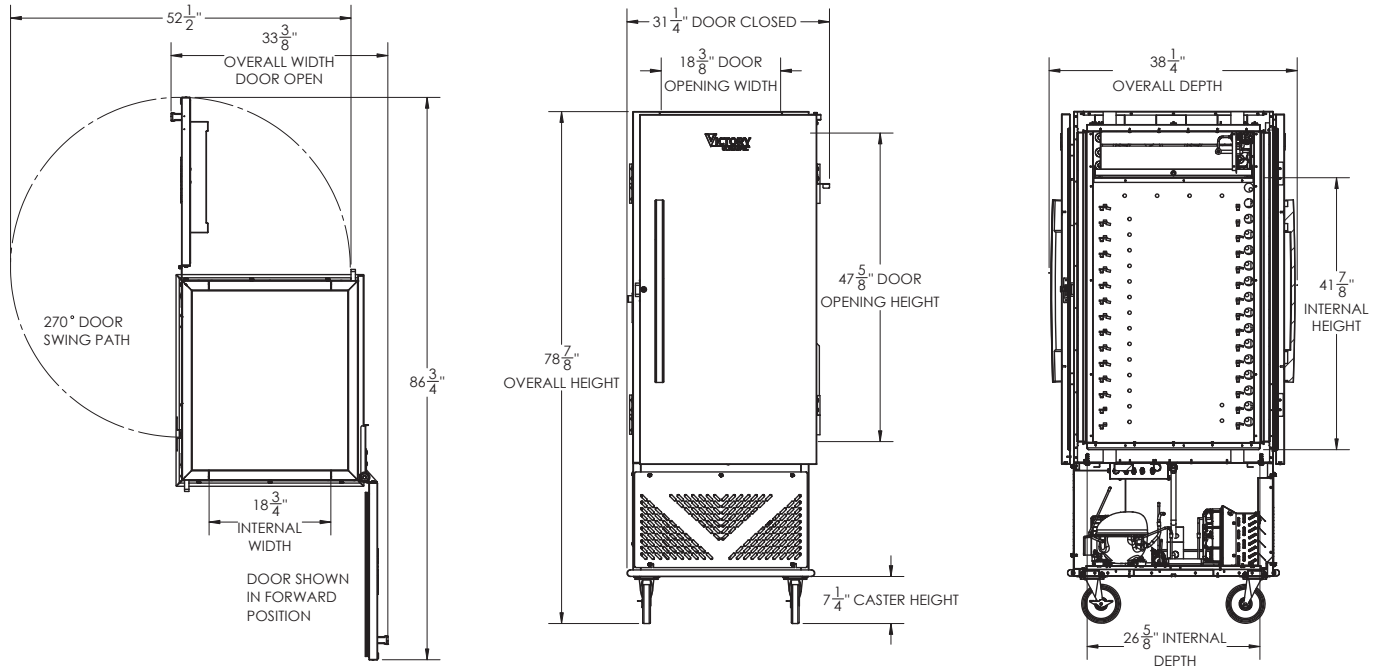
3779 Champion Blvd, Winston-Salem, NC 27105

ph: (888) 845-9800 | fax: (800) 253-5168

Sales@VictoryRefrigeration.com | VictoryRefrigeration.com

Rev. 02/01/21 Printed in U.S.A.

APPROVAL: _____ DATE: _____



We reserve the right to change specifications and product design without notice. Such revisions do not entitle the buyer to corresponding changes, improvements, additions or replacements for previously purchased equipment. Dimensional tolerances +/- 1/4". Metric dimensions (MM)

CHARACTERISTICS		ELECTRICAL DATA		SHIPPING DETAILS	
Net Capacity	15.0	Cabinet Voltage	115/60/1	Height	87"
Width, Overall (in.)	33 3/8"	Total Amps	8.3	Width	36"
Depth, Overall (with handle)	38 1/4"	NEMA Plug (8' cord)	5-20P	Depth	43"
Height Overall (7 1/4" casters)	78 7/8"	REFRIGERATION DATA		Crated Weight	562 lbs
Door Open Depth 90°/Swing 270°	86 3/4" / 52 1/2"	Condensing Unit Size, HP	3/4		
Door Opening (in.)	18 3/8" x 47 5/8"	Refrigerant	R-290		
No. Of Pan Slides	15	Capacity (BTU/HR) (100°F/20°F)	4900		

3779 Champion Blvd, Winston-Salem, NC 27105 | ph: (888) 845-9800 | fax: (800) 253-5168

Sales@VictoryRefrigeration.com | VictoryRefrigeration.com

Rev. 02/01/21 Printed in U.S.A.

an Ali Group Company



The Spirit of Excellence