



Cart 2

High-Volume Breakfast Cart

FOR INFO OR TO PLACE AN ORDER, CONTACT:
 Pasco Brokerage quotes@pascoinc.net
 800.788.8216

FEATURES

- 74" long x 30" wide x 34" high
- Two separate insulated wells (3-pan and 2-pan)
- Two-tier sloped over-shelf holds pans or baskets
- Welded push handle
- Fold down shelf for POS
- Heavy-duty casters for easy transport
- Adjustable height signpost allows access through doorways
- Sign post, station sign and menu board
- Single- and double-sided options available

GRAPHIC OPTIONS (CHECK ONE)

- Black (as shown) Red/White (see Cart 1)
 Black Body Red Body

SINGLE-SIDED CART 2

If ordering a height other than the standard 34", what height? _____

Qty: _____ @ \$8,354 = _____ (Black)

Qty: _____ @ \$8,354 = _____ (Red/White)

(+ FREIGHT CHARGES: Call or email Pasco for freight rates)

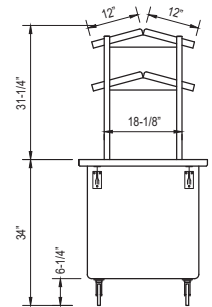
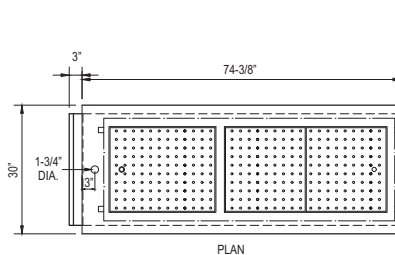
DOUBLE-SIDED CART 2

If ordering a height other than the standard 34", what height? _____

Qty: _____ @ \$9,151 = _____ (Black)

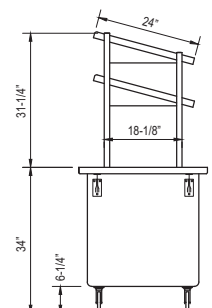
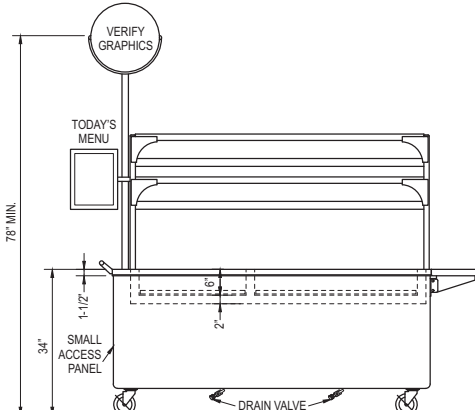
Qty: _____ @ \$9,151 = _____ (Red/White)

(+ FREIGHT CHARGES: Call or email Pasco for freight rates)



I have reviewed and approve these order details (please sign here)

We reserve the right to change pricing, specifications and product design without notice. Such revisions do not entitle the buyer to corresponding changes, improvements, additions or replacement for previously purchased equipment.



©2014 National Dairy Council. Fuel Up is a service mark of National Dairy Council.



LTI, Inc. 1947 Bill Casey Pkwy.
 lowtempind.com Jonesboro, GA 30236