



# Cart 3

## Streamline Cart

**FOR INFO OR TO PLACE AN ORDER, CONTACT:**

Emily Hart      ehart@pascoinc.net  
 Pasco Brokerage      800.788.8216

### FEATURES

- 60" long x 30" wide x 34" high
- One 3-pan insulated well
- Sloped over-shelf accommodates pans or baskets
- Welded push handle
- Fold down shelf for POS
- Heavy-duty casters for easy transport
- Single- and double-sided options available

### CART BODY COLOR OPTIONS (CHECK ONE)

- Red (as shown)    White    Blue    Black

### SINGLE-SIDED CART 3

If ordering a height other than the standard 34", what height? \_\_\_\_\_

- Qty: \_\_\_\_\_ @ \$4,785 = \_\_\_\_\_ (Red)  
 Qty: \_\_\_\_\_ @ \$4,785 = \_\_\_\_\_ (White)  
 Qty: \_\_\_\_\_ @ \$4,785 = \_\_\_\_\_ (Blue)  
 Qty: \_\_\_\_\_ @ \$4,785 = \_\_\_\_\_ (Black)

(+ FREIGHT CHARGES: Call or email Pasco for freight rates)

### DOUBLE-SIDED CART 3

If ordering a height other than the standard 34", what height? \_\_\_\_\_

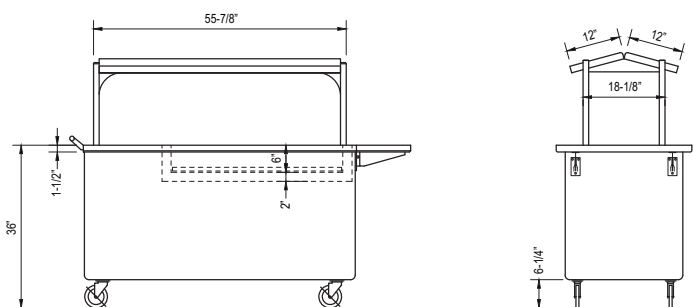
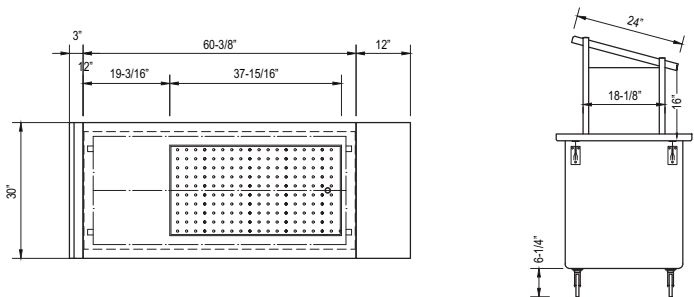
- Qty: \_\_\_\_\_ @ \$4,970 = \_\_\_\_\_ (Red)  
 Qty: \_\_\_\_\_ @ \$4,970 = \_\_\_\_\_ (White)  
 Qty: \_\_\_\_\_ @ \$4,970 = \_\_\_\_\_ (Blue)  
 Qty: \_\_\_\_\_ @ \$4,970 = \_\_\_\_\_ (Black)

(+ FREIGHT CHARGES: Call or email Pasco for freight rates)



I have reviewed and approve these order details (please sign here)

We reserve the right to change pricing, specifications and product design without notice. Such revisions do not entitle the buyer to corresponding changes, improvements, additions or replacement for previously purchased equipment.



©2014 National Dairy Council. Fuel Up is a service mark of National Dairy Council.



LTI, Inc.      1947 Bill Casey Pkwy.  
 lowtempind.com      Jonesboro, GA 30236